

300mm wide industrial  
bgrade metal grate.

7.0mx3.5mx2.0D  
water collection pit ,  
with dual pump system  
to spil pit to kerb.

**STRATHFIELD COUNCIL  
RECEIVED**

**DA2021.40  
4 March 2021**

NAUGHTON STREET

**NOTES:**

1. TANK WATER TAPS SHALL BE MARKED "RAINWATER NOT TO BE USED FOR HUMAN CONSUMPTION".
2. MINIMUM TANK SIZE 3000 LITRES.
3. RAINWATER TANK SHALL BE CONNECTED TO MAIN WATER SUPPLY AS BACKUP.
4. THE PUMPS ARE TO BE INSTALLED IN ACCORDANCE WITH COUNCIL POLICY.
5. TANK TO BE CONNECTED TO ALL TOILETS FOR TOILET FLUSHING, TO THE COLD WATER TAPS THAT SUPPLIES EACH WASHING MACHINE FOR CLOTHES WASHING & OUT DOOR TAPS FOR IRRIGATION USE.
6. RAINWATER TANKS TO BE CLEANED OUT EVERY 6 MONTHS.
7. WATER TANK AND ASSOCIATED STRUCTURE TO BE THE SAME COLOUR, OR A COLOUR COMPLEMENTARY TO THE DWELLING.
8. TOP OF TANK TO BE BELOW TOP OF NEAREST FENCE, OR 2.1 METRES, WHICH EVER IS LESSER.
9. THE WATER TANK SHOULD BE LOCATED AT LEAST 900mm FROM ANY PROPERTY BOUNDARY.
10. PLUMBING FROM THE WATER TANK IS TO BE KEPT SEPARATE FROM THE RETICULATED WATER SUPPLY SYSTEM.
11. TANK TO BE BUILT ON SELF SUPPORTING BASE.
12. PROVIDE BACK-FLOW PREVENTION DEVICE AT MAINS WATER METER.
13. ROOF DRAINING TO TANK MUST NOT CONTAIN LEAD, TAR BASED PAINTS AND ASBESTOS.
14. WATER TO BE DRAWN FROM ANAEROBIC ZONE OF TANK.

OVERFLOW PIPE  
CONNECTED TO OUTLET

# STORMWATER PLAN - SW 01

SCALE 1:150

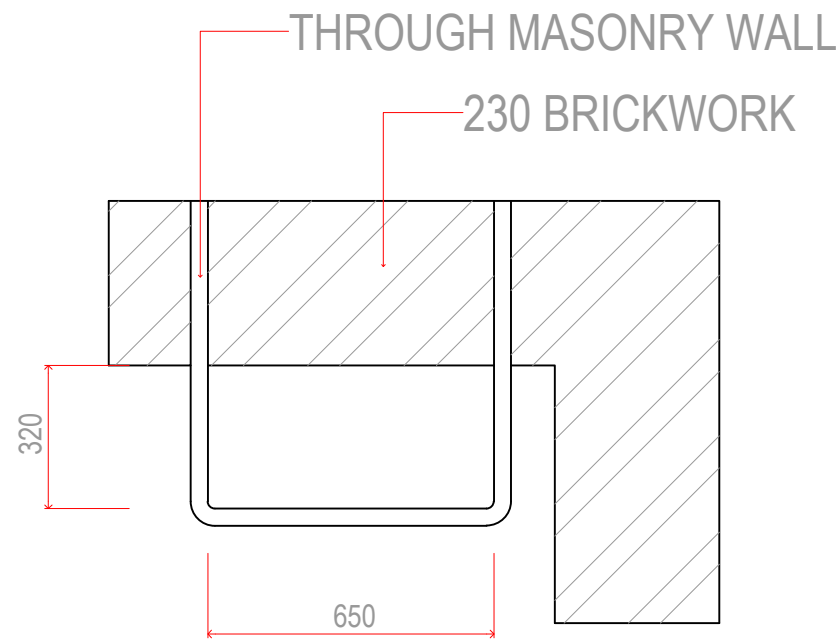
THIS DRAWING MUST BE READ INCONJUNCTION WITH ALL STORMWATER PLANS



			<b>Transcivic Engineering</b> Design and construction Civil & Structural Consulting Engineer 41 FARNELL ST MERRYLANDS NSW 2160 PH: 0414 381 056 ABN: 60 674 378 042	BS (Civil & Structural) MIEAust 561060 The Institution of Engineers, Australia Mr. Wissam T. Riman Signature:	CLIENT: IKLEEN SERVICES PTY. LTD. PROJECT: ALTERATIONS & ADDITIONS TO FACTORY ADDRESS: 23-25 ROBERTS ROAD GREENACRE TITLE: STORMWATER PLAN	DRAWN: NMK DATE: 10/10/2018	SCALE: 1:150 JOB NO: HK G 01 SHEET: SW-01
A	ISSUE FOR DA TO COUNCIL	27.12.2020					
ISSUE	AMENDMENT	DATE					

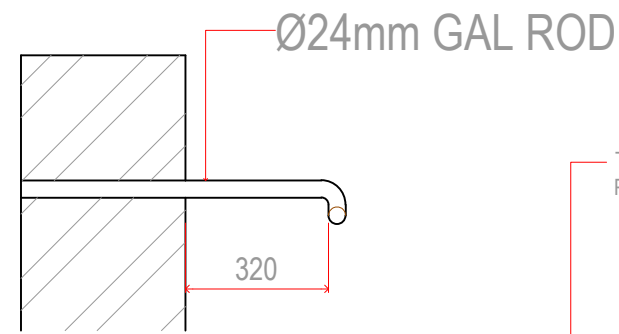
**STRATHFIELD COUNCIL  
RECEIVED**

**DA2021.40  
4 March 2021**



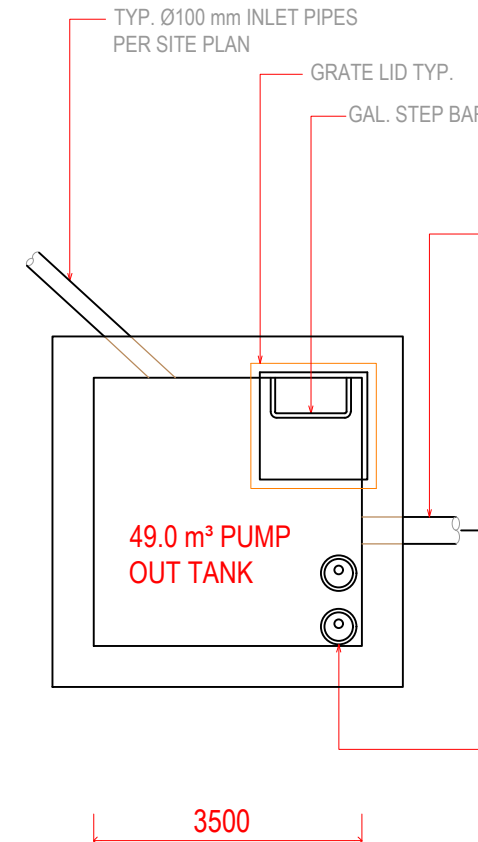
PLAN VIEW

TYP. STEP BAR DETAILS  
N.T.S.

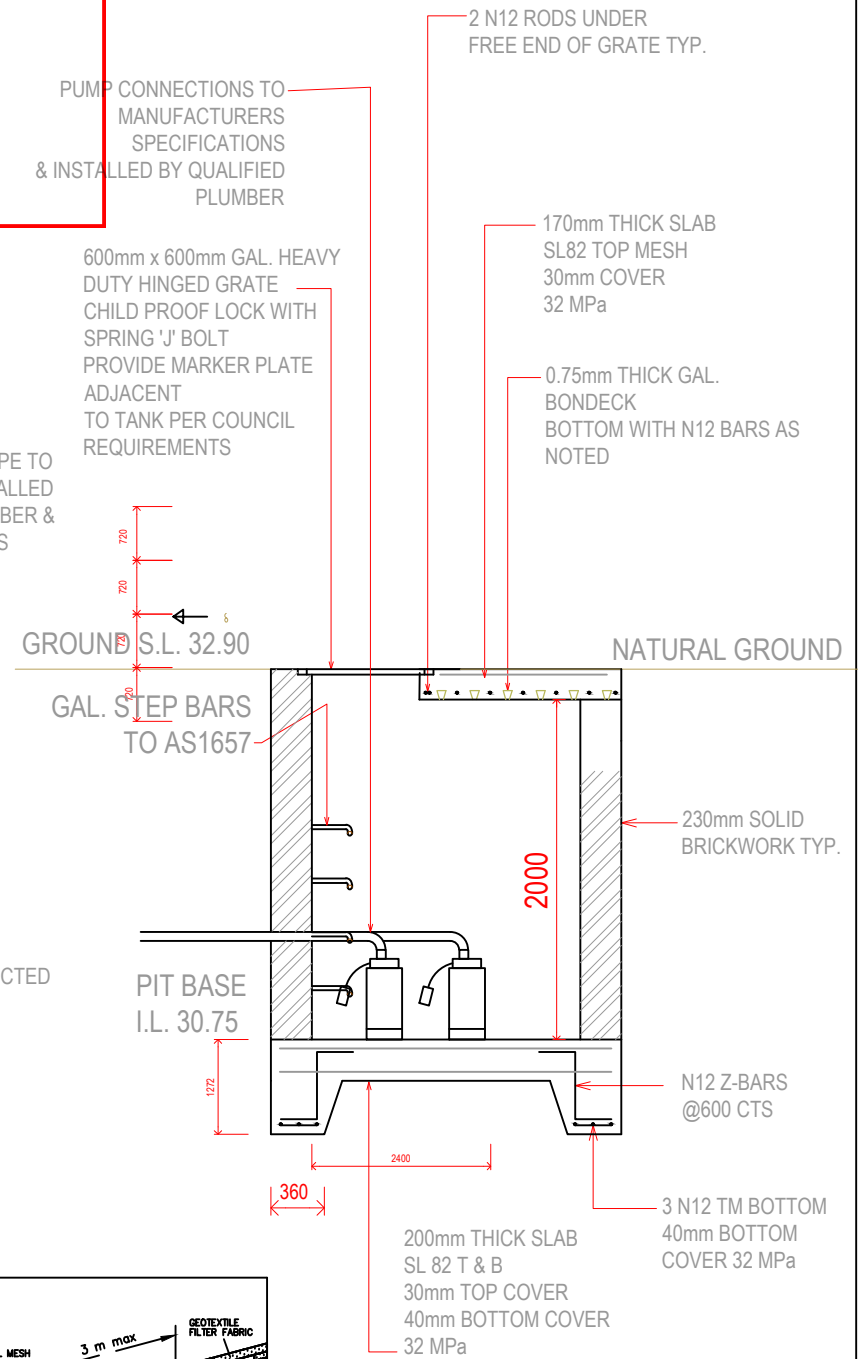


ELEVATION

NOTE:  
STEPS TO AS1657



PUMP OUT TANK PLAN  
N.T.S.



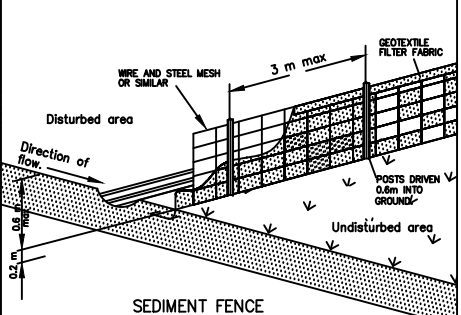
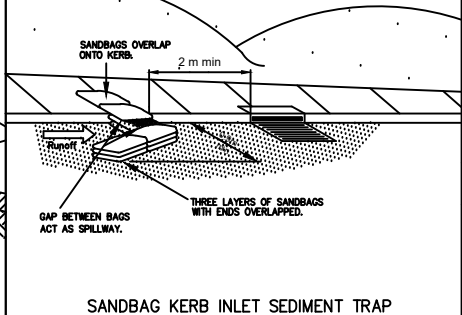
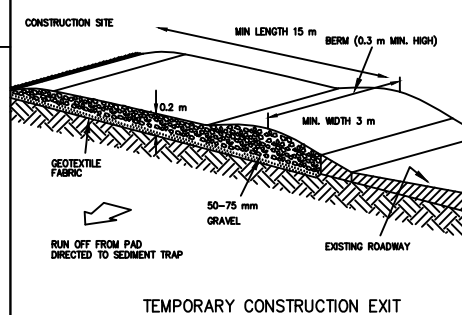
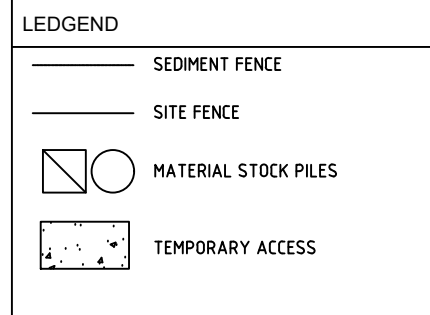
PUMP OUT TANK SECTION  
N.T.S.

- NOTES:
- PITS GREATER THAN 1000mm DEEP TO HAVE GAL. STEP BARS COMPLYING TO AUSTRALIAN STANDARDS.
  - TANK TO COMPLY WITH SYDNET WATER & ANY OTHER AUTHORITY IF LOCATED ADJACENT TO THEIR INFRASTRUCTURE.
  - TANK BASE TO HAVE 1% FALL TO PUMP BASES.
  - PIERS TO ENGINEERS ASSESSMENT AT CONSTRUCTION TIME.

RECOMMENDED SUBMERSIBLE PUMPS:  
2 x LOWRA - DIWA SERIES DIWA IIT  
EQUIVALENT or BETTER

**SEDIMENT CONTROL NOTES**

1. ALL EROSION AND SEDIMENTATION CONTROL MEASURES, INCLUDING REVEGETATION AND STORAGE OF SOIL AND TOPSOIL, SHALL BE IMPLEMENTED TO THE STANDARDS OF THE SOIL CONSERVATION OF NSW.
2. ALL DRAINAGE WORKS SHALL BE CONSTRUCTED AND STABILIZED AS EARLY AS POSSIBLE DURING DEVELOPMENT.
3. SEDIMENT TRAPS SHALL BE CONSTRUCTED AROUND ALL INLET PITS, CONSISTING OF 300mm WIDE X 300mm DEEP TRENCH.
4. ALL SEDIMENT BASINS AND TRAPS SHALL BE CLEANED WHEN THE STRUCTURES ARE A MAXIMUM OF 60% FULL OF SOLID MATERIALS, INCLUDING THE MAINTENANCE PERIOD.
5. ALL DISTURBED AREAS SHALL BE REVEGETATED AS SOON AS THE RELEVANT WORKS ARE COMPLETED.
6. SOIL AND TOPSOIL STOCKPILES SHALL BE LOCATED AWAY FROM DRAINAGE LINES AND AREA WHERE WATER MAY CONCENTRATE.
7. FILTER SHALL BE CONSTRUCTED BY STRETCHING A FILTER FABRIC (PROPEX OR APPROVED EQUIVALENT BETWEEN POST AT 3.0m CENTRES. FABRIC SHALL BE BURIED 150mm ALONG ITS LOWER EDGE.



**STORMWATER PLAN - SW 03**  
SCALE N.T.S.

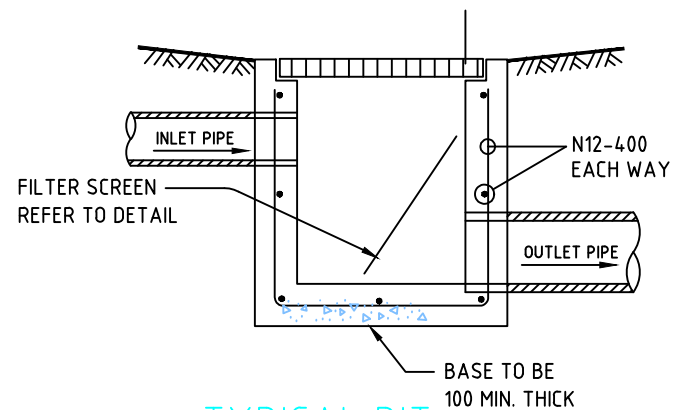
THIS DRAWING MUST BE READ INCONJUNCTION WITH ALL STORMWATER PLANS



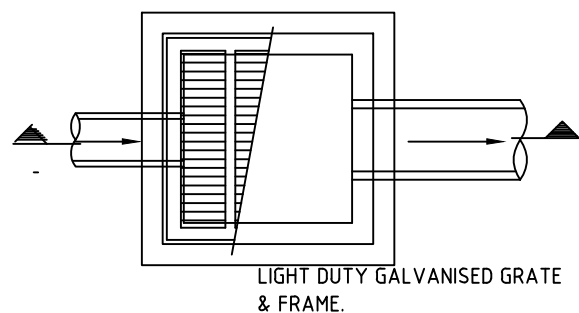
		<b>Transcivic Engineering</b> Design and construction Civil & Structural Consulting Engineer 41 FARNELL ST MERRYLANDS NSW 2160 PH: 0414 381 056 ABN: 60 674 378 042		BS (Civil & Structural) MIEAust 561060 The Institution of Engineers, Australia Mr. Wissam T. Riman Signature:		CLIENT: IKLEEN SERVICES PTY. LTD. PROJECT: ALTERATIONS & ADDITIONS TO FACTORY ADDRESS: 23-25 ROBERTS ROAD GREENACRE TITLE: STORMWATER PLAN		DRAWN: NMK DATE: 10/10/2018		SCALE: 1:150 JOB NO: HK G 01 SHEET: SW-03	
A	ISSUE FOR DA TO COUNCIL	27.12.2020									
ISSUE	AMENDMENT	DATE									

**STRATHFIELD COUNCIL  
RECEIVED**

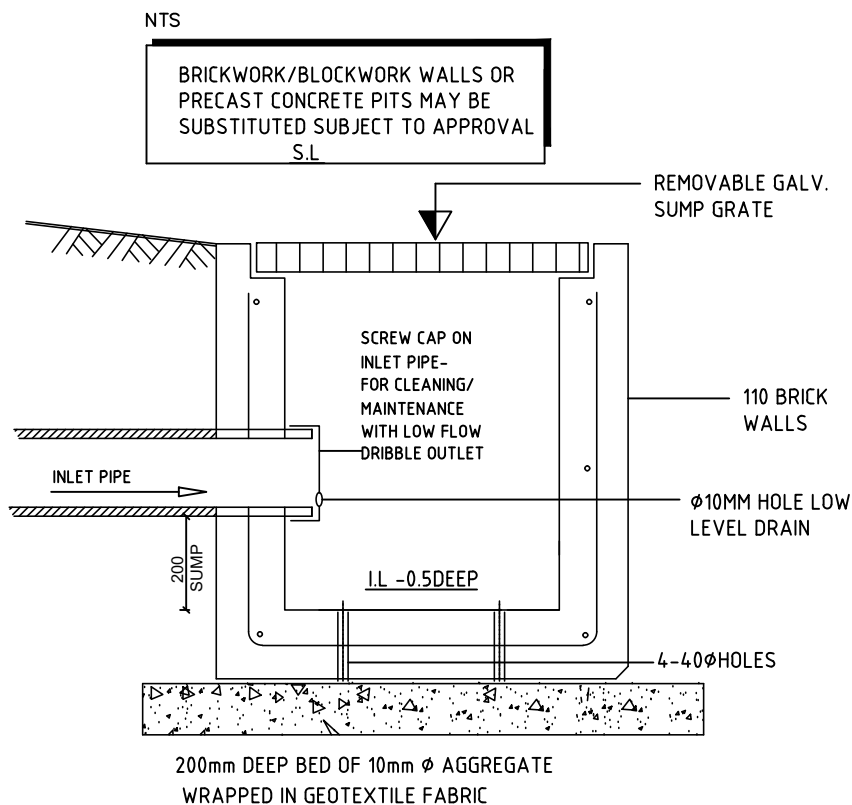
**DA2021.40  
4 March 2021**



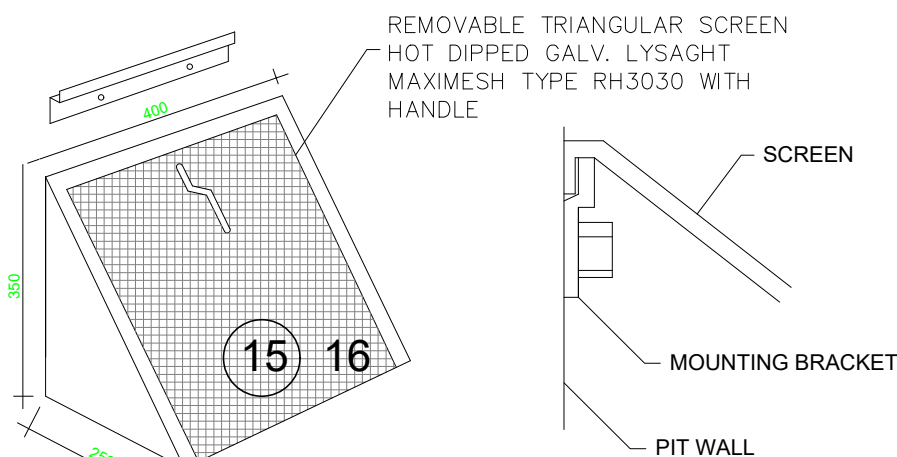
**TYPICAL PIT**  
NTS



**TYPICAL PIT DETAIL**



**MAINTENANCE PIT**



**MULTI PURPOSE FILTER SCREEN**

NTS  
PRODUCT CODE: MMMPS (MASCOT ENGINEERING)  
FITTED TO CONTROL PIT PRIOR TO OUTLET

OVERFLOW PIPE  
CONNECTED TO OUTLET

**NOTES:**

1. TANK WATER TAPS SHALL BE MARKED "RAINWATER NOT TO BE USED FOR HUMAN CONSUMPTION".
2. MINIMUM TANK SIZE 3000 LITRES.
3. RAINWATER TANK SHALL BE CONNECTED TO MAIN WATER SUPPLY AS BACKUP.
4. THE PUMPS ARE TO BE INSTALLED IN ACCORDANCE WITH COUNCIL POLICY.
5. TANK TO BE CONNECTED TO ALL TOILETS FOR TOILET FLUSHING, TO THE COLD WATER TAPS THAT SUPPLIES EACH WASHING MACHINE FOR CLOTHES WASHING & OUT DOOR TAPS FOR IRRIGATION USE.
6. RAINWATER TANKS TO BE CLEANED OUT EVERY 6 MONTHS.
7. WATER TANK AND ASSOCIATED STRUCTURE TO BE THE SAME COLOUR, OR A COLOUR COMPLEMENTARY TO THE DWELLING.
8. TOP OF TANK TO BE BELOW TOP OF NEAREST FENCE, OR 2.1 METRES, WHICH EVER IS LESSER.
9. THE WATER TANK SHOULD BE LOCATED AT LEAST 900mm FROM ANY PROPERTY BOUNDARY.
10. PLUMBING FROM THE WATER TANK IS TO BE KEPT SEPARATE FROM THE RETICULATED WATER SUPPLY SYSTEM.
11. TANK TO BE BUILT ON SELF SUPPORTING BASE.
12. PROVIDE BACK-FLOW PREVENTION DEVICE AT MAINS WATER METER.
13. ROOF DRAINING TO TANK MUST NOT CONTAIN LEAD, TAR BASED PAINTS AND ASBESTOS.
14. WATER TO BE DRAWN FROM ANAEROBIC ZONE OF TANK.

**STORMWATER DETAILS - SW02**

**STORMWATER PLAN - SW 02**

SCALE N.T.S.

THIS DRAWING MUST BE READ INCONJUNCTION WITH ALL STORMWATER PLANS



		<b>Transcivic Engineering</b> Design and construction Civil & Structural Consulting Engineer 41 FARNELL ST MERRYLANDS NSW 2160 PH: 0414 381 056 ABN: 60 674 378 042		BS (Civil & Structural) MIEAust 561060 The Institution of Engineers, Australia Mr. Wissam T. Riman Signature:		CLIENT: IKLEEN SERVICES PTY. LTD.		DRAWN: NMK		SCALE: 1:150	
						PROJECT: ALTERATIONS & ADDITIONS TO FACTORY				JOB NO: HK G 01	
						ADDRESS: 23-25 ROBERTS ROAD GREENACRE				SHEET: SW-02	
A		ISSUE FOR DA TO COUNCIL		27.12.2020		TITLE: STORMWATER PLAN		DATE: 10/10/2018			
ISSUE		AMENDMENT		DATE							